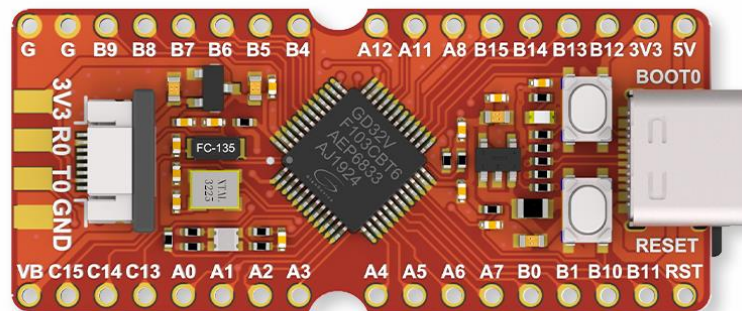


Sipeed Longan Nano Datasheet

v1.0



Key Features:

- Chip built-in 128KB Flash, 32KB SRAM
- 4 x general purpose 16-bit timer, 2 x basic 16-bit timer, 1 x advanced 16-bit timer
- Watchdog, RTC, SysTick
- 3 x USART, 2 x I2C, 3 x SPI, 2 x I2S, 2 x CAN, 1 x USBFS (OTG)
- 2 x ADC (10 channel), 2 x DAC

UPDATE

V1.0	Edited on August 28, 2019 ; Original document
------	---

SPECIFICATION

CPU :	GD32VF103CBT6 based on RISC-V 32-bit core
Kernel power consumption:	Only 1/3 of the traditional Cortex-M3
Chip built-in:	128KB Flash, 32KB SRAM
Peripheral:	4 x general purpose 16-bit timer, 2 x basic 16-bit timer, 1 x advanced 16-bit timer, Watchdog, RTC, Systick 3 x USART, 2 x I2C, 3 x SPI, 2 x I2S, 2 x CAN, 1 x USBFS (OTG), 2 x ADC (10 channel), 2 x DAC

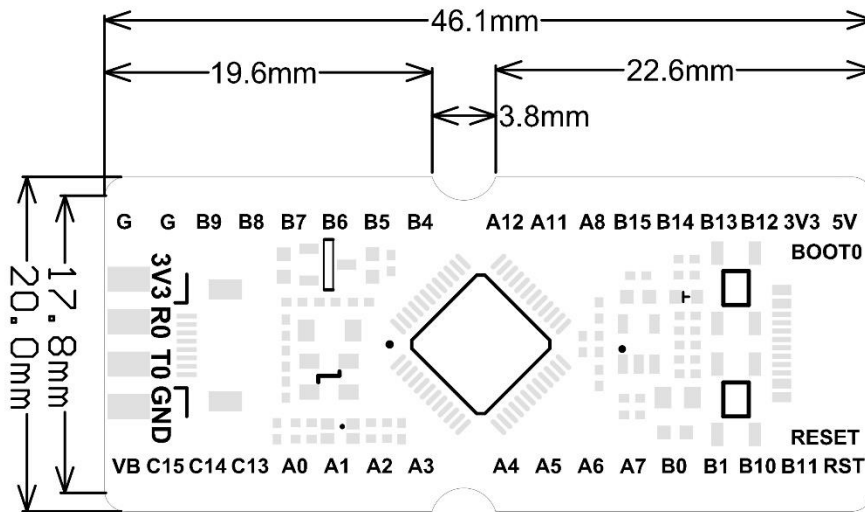
SOFTWARE FEATURES

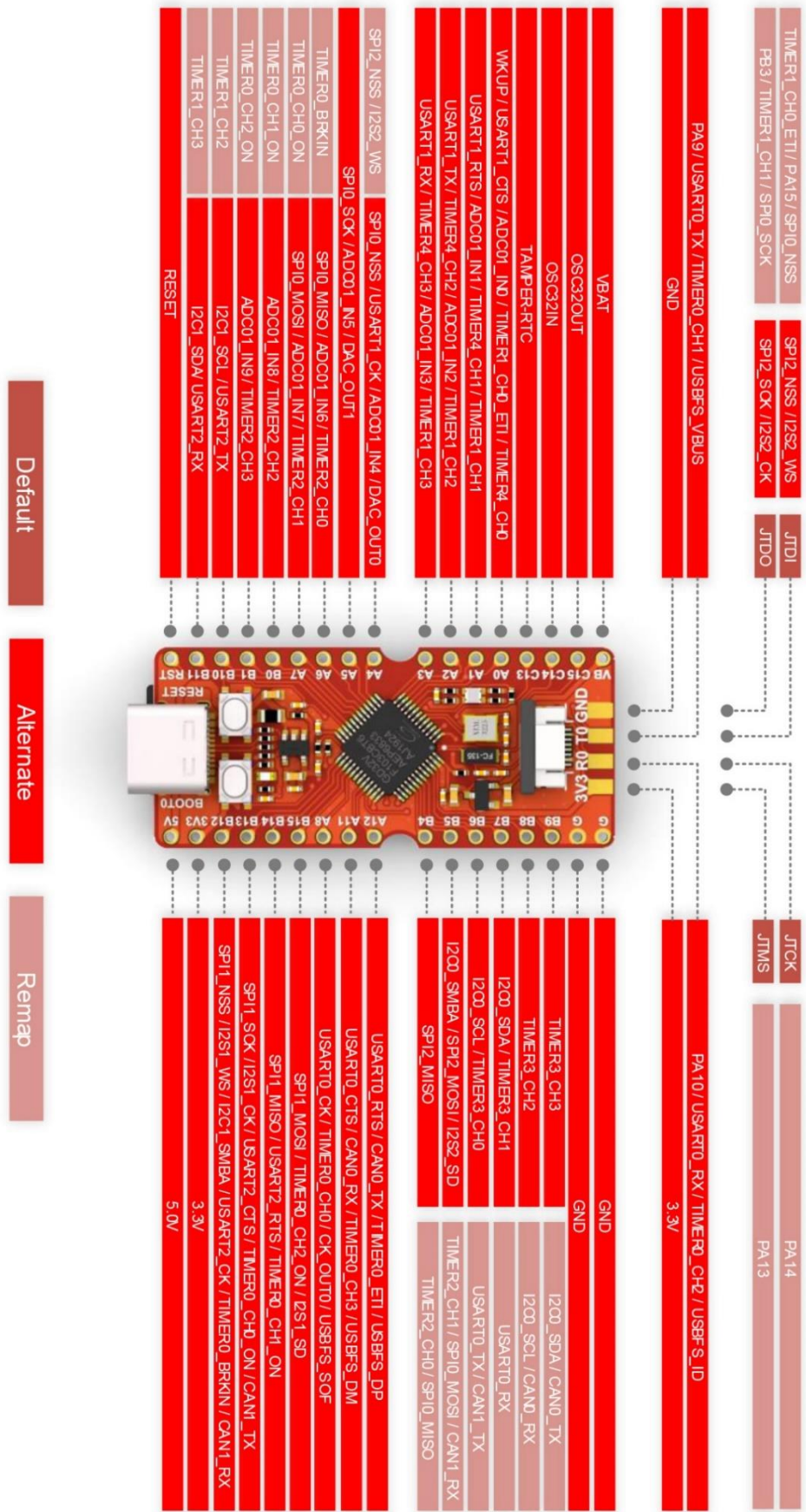
IDE	PlatformIO IDE, support debugging, arduino
Compile Toolchain & Debugger	GCC、OpenOCD
Operating system	RT-Thread、LiteOS

HARDWARE FEATURES

Crystal	8MHz Passive High Speed Crystal +32.768KHz Low Speed RTC Crystal
Connector	Double row 2.54 pitch pin
Storage expansion	short body TF card slot
Display Expansion	8pin 0.5mm FPC Block Expansion 160x80 RGB IPS LCD (SPI Interface)
Debug interface	2x4 pin leads to JTAG debug interface

SIZE	
Length	46.1mm
Width	20mm





RESOURCES	
Official Website	www.sipeed.com
Github	https://github.com/sipeed i
BBS	http://bbs.sipeed.com
SDK	dl.sipeed.com/ LONGAN/Nano/SDK
HDK	dl.sipeed.com/ LONGAN/Nano/HDK
E-mail(Technical Support)	support@sipeed.com
telgram link	https://t.me/sipeed
Longan RV QQ Group	816177882
Longan wiki	longan.sipeed.com
Download	http://dl.sipeed.com/LONGAN/Nano/



Disclaimer and copyright notice

The information in this document, including the URL address for reference, is subject to change without notice.

The documentation is provided by Sipeed without warranty of any kind, including any warranties of merchantability, and any proposal, specification or sample referred to elsewhere. This document is not intended to be a liability, including the use of information in this document to infringe any patent rights.

Copyrights © 2019 Sipeed Limited. All rights reserved.